

RTI HEARING AID MICROPHONES



FEATURES

RESISTANCE TECHNOLOGY INC. introduces specialized hearing aid microphones to meet your electro-acoustic packaging needs. Microphones are available for omni-directional, uni-directional and noise canceling applications. Our electret microphone technology is based on over 75 years of acoustical transducer experience from Lectret Precision PTE LTD and Tibbetts Industries.

Quality microphones are manufactured at RTI Technologies Singapore facility.

Our company is committed to support the Hearing Health Industry with improved components, transducers, micro-electronic assemblies, interconnect systems and faceplates. ISO-9001 Certified.



RESISTANCE TECHNOLOGY INC.
1260 Red Fox Road
Arden Hills, MN 55112
Tel (651) 636-9770
Fax (651) 636-9503
www.rti-corp.com

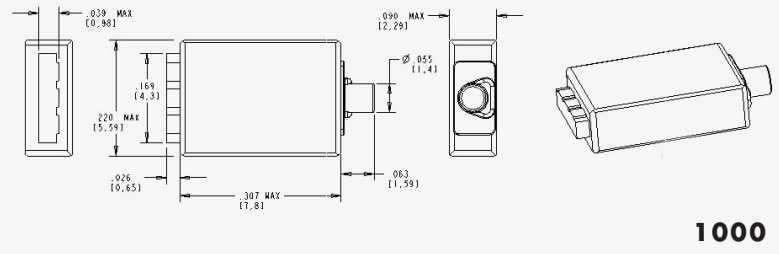
RTI TECHNOLOGIES PTE. LTD.
26 Ayer Rajah Crescent
#04-01
Singapore
Tel 65-776-1021
Fax 65-779-1021
www.rti-corp.com

RESISTANCE TECHNOLOGY GMBH
Kesselschmiedstrasse 10
D-85354 Freising,
Germany
Tel 049-8161-4804-0
Fax 049-8161-4804-18
www.rti-corp.com

1000 (BT) SERIES MICROPHONE

Sensitivity: -39 dBV/Pa @ 1KHz
Noise: Typical: 26 dB SPL equivalent noise
 (Maximum 28 dB A-weighted)

Custom Frequency Responses Available.

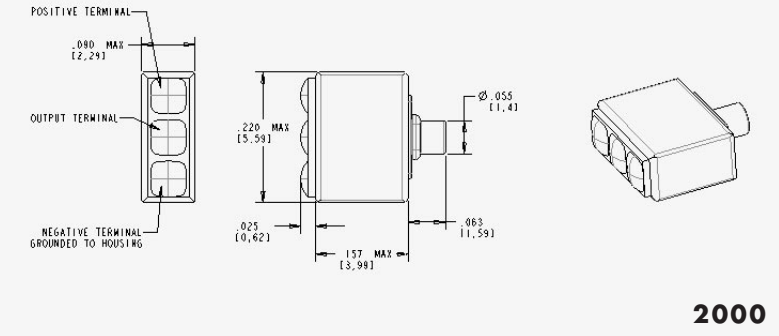


1000

2000 (EA) SERIES MICROPHONE

Sensitivity: -39 dBV/Pa @ 1KHz
Noise: Typical: 26 dB SPL equivalent noise
 (Maximum 28 dB A-weighted)

Sensitivity to Vibration: <66 dB per g
Custom Frequency Responses Available.



2000

2000 (EK) SERIES MICROPHONE

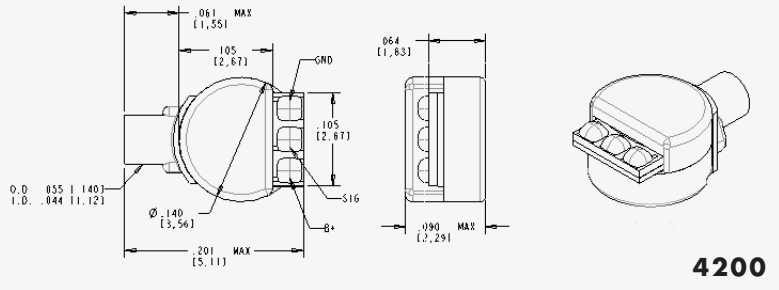
Sensitivity: -34 dBV/Pa @ 1KHz
Noise: Typical: 24 dB SPL equivalent noise
 (Maximum 26 dB A-weighted)

Sensitivity to Vibration: <66 dB per g
Custom Frequency Responses Available.

4200 (EM TYPE) OMNI MICROPHONE

Sensitivity: -37 dBV/Pa @ 1KHz
Noise: Typical: 24 dB SPL equivalent noise
 (Maximum 28 dB A-weighted)

Sensitivity to Vibration: <66 dB per g
Custom Frequency Responses Available.

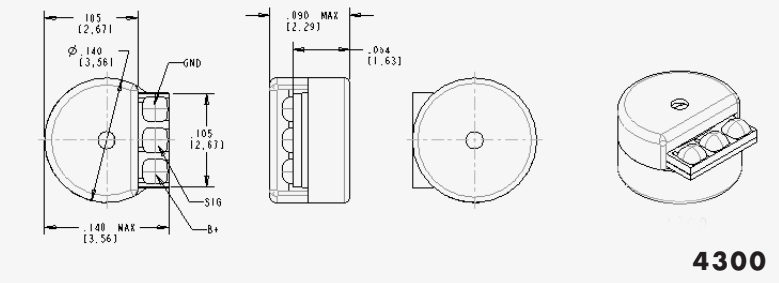


4200

4300 (EM TYPE) DIRECTIONAL MICROPHONE

Sensitivity: -37 dBV/Pa @ 1KHz
Noise: Typical: 24 dB SPL equivalent noise
 (Maximum 28 dB A-weighted)

Sensitivity to Vibration: <66 dB per g
Custom Frequency Responses Available.

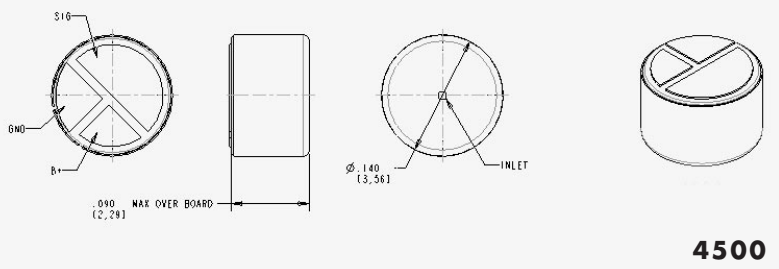


4300

4500 (EM TYPE) CYLINDRICAL MICROPHONE (140)

Sensitivity: -37 dBV/Pa @ 1KHz
Noise: Typical: 27 dB SPL equivalent noise
 (Minimum 31 dB A-weighted)

Sensitivity to Vibration: <66 dB per g
Custom Frequency Responses Available.
Microphone Transducers.



4500

*GSM/rfi suppression is available for the above models.
 Higher sensitivity models available: -34 dBV/Pa @ 1KHz.
 Lower noise models available: 24 dB A-weighted noise level.*