



Resistance Technology, Inc.  
 1260 Red Fox Road  
 Saint Paul, MN 55112  
 FAX (651) 636-9503  
 1 (800) 966-3280  
 Phone: (651) 604-9600  
 Internet: www.RTI-Corp.com

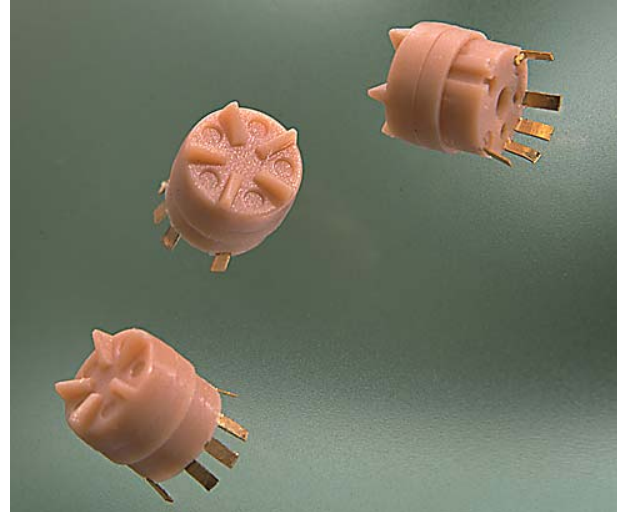
In Europe:  
 Resistance Technology GmbH  
 Kesselschmiedstrasse 10  
 D-85354 Freising, Germany  
 Telefon: 049-8161-4804-0  
 Telefax: 049-8161-4804-18  
 Email: Service@RTGMBH.de

# PRODUCT DATA SHEET

## Volume Control Model 35

The Resistance Technology Model 35 Volume Control was developed for use in canal hearing aids (ITC).

- Robust ribbon lead
- Forward and reverse switches (cw or ccw)
- Replaceable knob styles
- Multiple color dot locations and ink options
- Available with or without built-in on/off switch
- Double ball wiper for enhanced performance



### MECHANICAL DATA

Operational Torque	.02 to .20 in. oz. [1-13 cNcm]
Stop Guide Torque	4.0 in. oz. min. [300 cNcm]
Rotational Angle	
Mechanical	230° ±5°
Electrical	230° ±5°
Soldering	
Temperature	280°–350°C. max.
Dwell Time	2 seconds max. (on/off switch must be in FULL ON position)

### MATERIALS DATA

Potentiometer terminals	Plated copper, gold over nickel
Switch terminals	Plated copper, gold over nickel
Wiper	Silver plated copper
Knob	Thermoplastic
Base	Thermoplastic
Resistor substrate	Epoxy multilayer laminate
Resistor Element	Conductive plastic thick film

### ELECTRICAL DATA

Potentiometer	
Overall resistance	Nominal value ±20%
Wattage rating	80 milliwatts
Contact resistance	Less than 10% of the actual overall resistance value
Switch	
Switch resistance	250 milliohms max. 25 milliohms typ.
Contact bounce and noise	Less than 3.5 milliseconds
Voltage rating	6.0 volts D.C. max.
Current rating	500 milliamperes max.
Closure angle	22° nominal
Detent causes tactile sensation at closure, opening.	

### ENVIRONMENTAL DATA

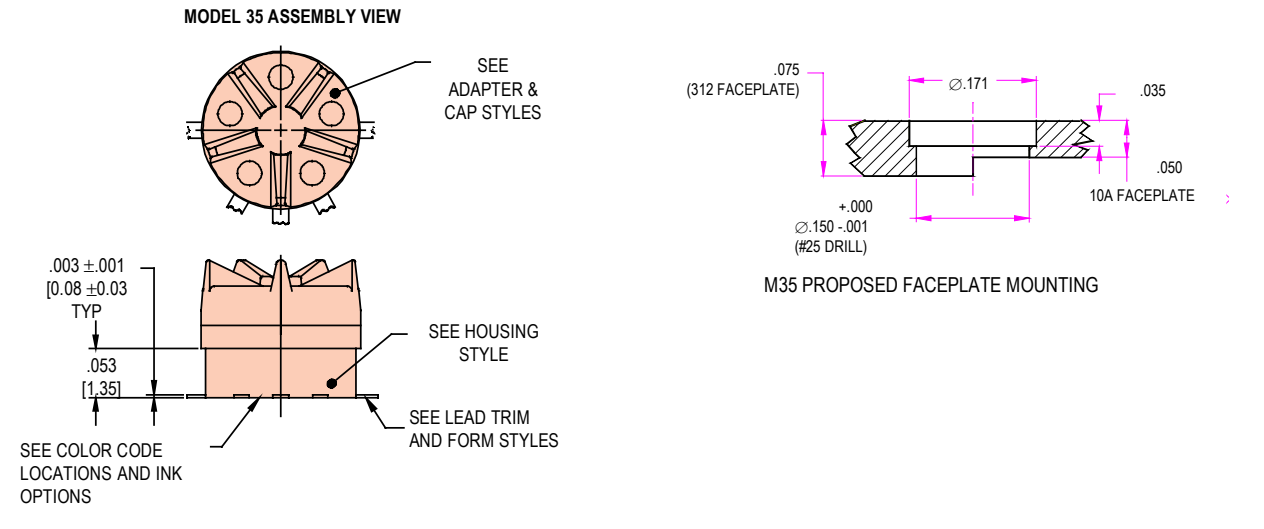
Operational temperature	Range -25°C to +55°C
Storage temperature	Range -40°C to +60° c
Operational Life	15,000 Rotational cycles at max. electrical rating.

### NOTES:

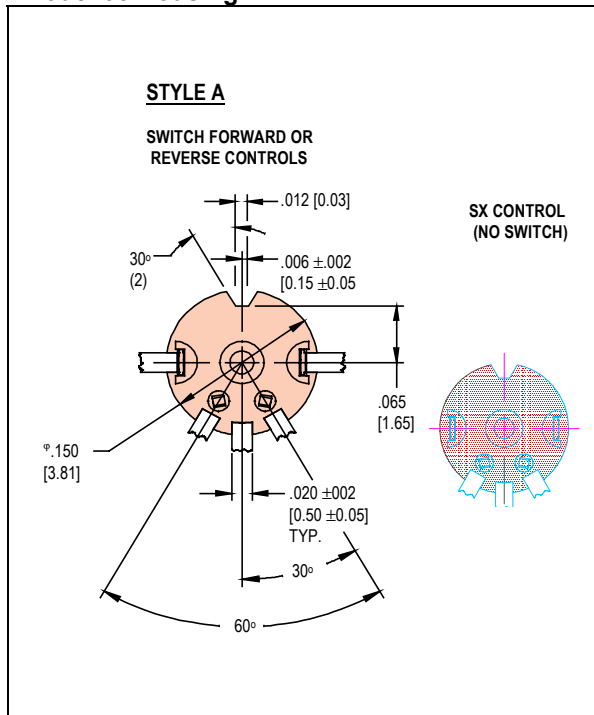
- 1) All dimensions are in standard inches, metric in brackets [ ].
- 2) Unless specified dimensions are ±.003 [0.08], angles ± 5°.

RTI reserves the right to make changes at any time to improve reliability, function or design, in order to provide the best possible product.

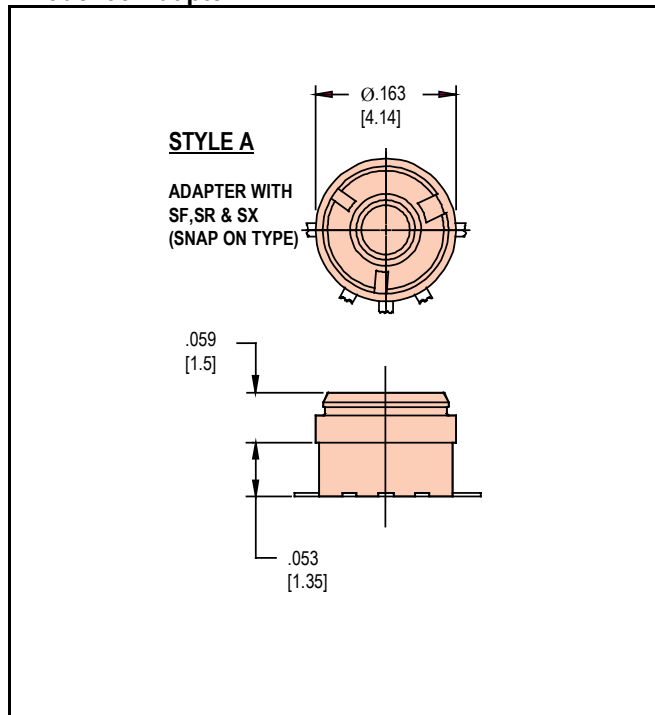
Model 35 SF, SR and SX Options



Model 35 Housing

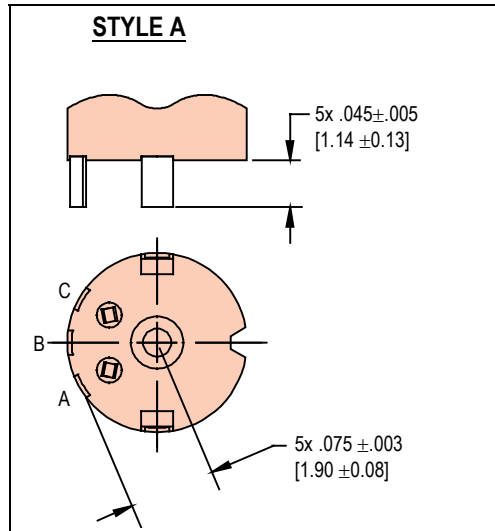


Model 35 Adapter

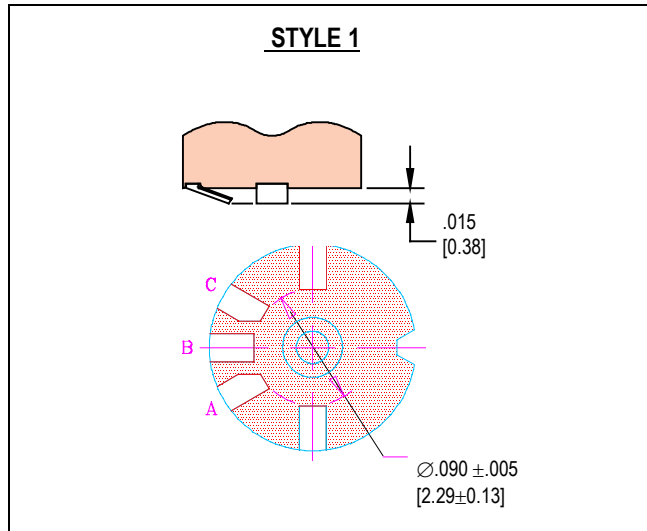


**Model 35 Volume Control**

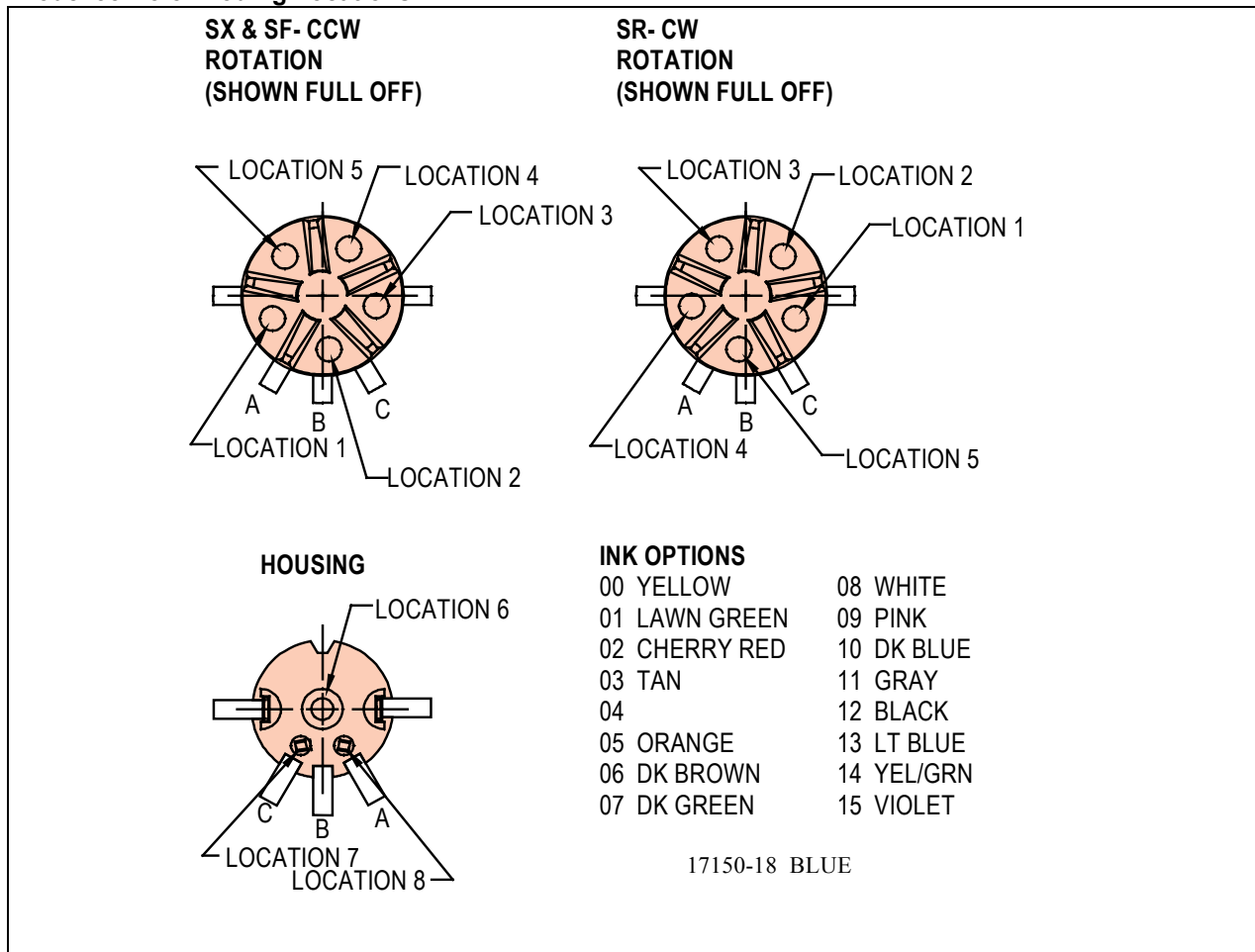
**Model 35 Lead Trim**



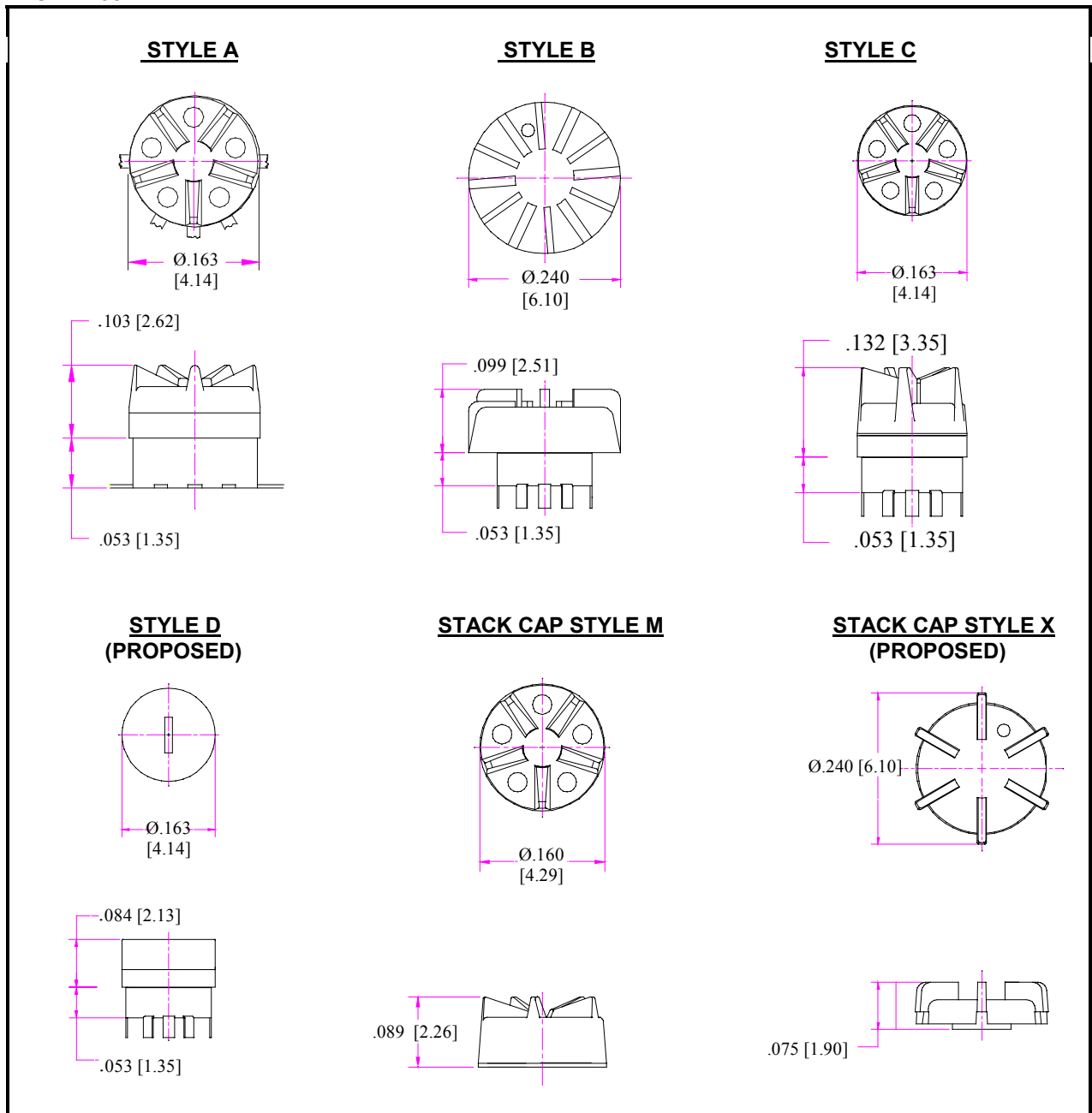
**Model 35 Second Form**



**Model 35 Color Coding Locations**



**Model 35 Volume Control**  
**MODEL 35 CAP**



**Resistance Technology Inc.**  
 1260 Red Fox Road,  
 Arden Hills, MN 55112  
 Tel: 612 636-9770  
 Fax: 612 636-9503  
 Web: <http://www.rtihearing.com>

**Resistance Technology GmbH**  
 Arabellastrasse 17, D-81925  
 Munich, Germany  
 Tel: 089/ 920990-0  
 Fax: 089/ 920990-18  
 100575.3271@compuserve