

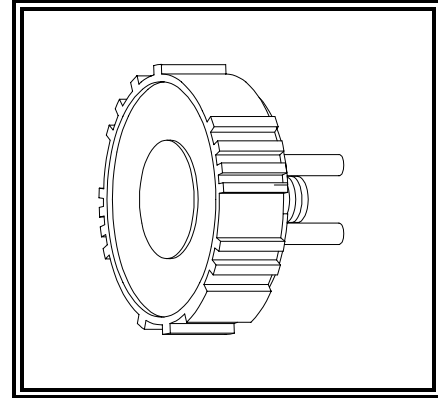


Resistace Technology, Inc.
 1260 Red Fox Road
 Saint Paul, MN 55112
 FAX (651) 636-9503
 1 (800) 966-3280
 Phone: (651) 604-9600
 Internet: www.RTI-Corp.com

In Europe:
 Resistace Technology GmbH
 Kesselschmiedstrasse 10
 D-85354 Freising, Germany
 Telefon: 049-8161-4804-0
 Telefax: 049-8161-4804-18
 Service@RTGMBH.de

PRODUCT DATA SHEET

POTENTIOMETER MODEL 25



NOTES: 1. All dimensions are in standard inches; metric in []
 2. Unless specified dimensions are ± 0.003 [0.08], angles $\pm 5^\circ$

PRODUCT SPECIFICATIONS

MECHANICAL DATA

Operational Torque	0.05 to 0.15 IN OZ
Stop Guide Torque	4.0 IN OZ min
Rotational Angle Mechanical	260° nominal
Electrical	260° nominal
Soldering Temperature Dwell Time	290° C to 350° C 2 sec max
Center Stud Nut Torque	3.0 IN OZ max

MATERIALS DATA

Center Stud	Gold-Plated Brass
Potentiometer Terminals	Gold-Plated Brass
Wiper	Silver-Plated Beryllium Copper
Knob	Thermoplastic
Base	Thermoplastic
Resistor Substrate	Epoxy Multilayer Laminate
Resistor Element	Conductive Plastic Thick Film

ELECTRICAL DATA

Potentiometer Overall Resistance	Nominal Value $\pm 20\%$ 80 Milliwatts
Wattage Rating Contact Resistance	Less than 10% of actual overall Resistance Value

ENVIRONMENTAL DATA

Operational Temperature Range	-25°C to + 55°C
Storage Temperature Range	-40°C to + 60°C

Overall resistance will remain within 10% of the initial value and all other Electrical and Mechanical Parameters remain within spec after:

- Thermal Shock per IEC Publication 68-2-14 Test Na: "Rapid Change of Temperature with Prescribed Time of Transition". -25°C to + 55°C
- 48 Hours Exposure to QE008 "Perspiration" at 40°C
- IEC Publication 68-2-3 Test Ca: "Damp Heat Steady State:"
- IEC Publication 68-2-30 Test Db: "Damp Heat Cyclic"
- Operational Life: 25,000 Rotational Cycles at max Electrical Rating

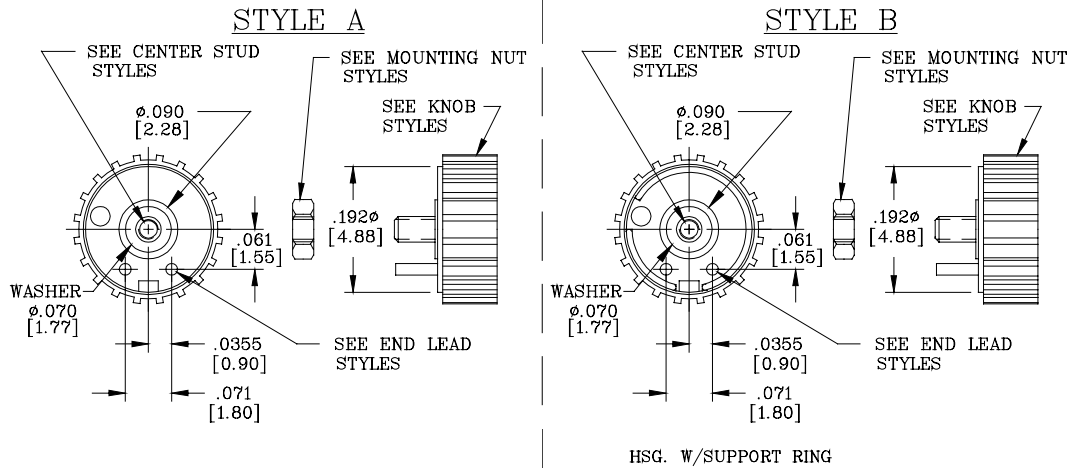
RTI reserves the right to make changes at any time to improve reliability, function, or design in order to provide the best possible product.

ECO 23740 31777 Rev AF sht 1 of 5

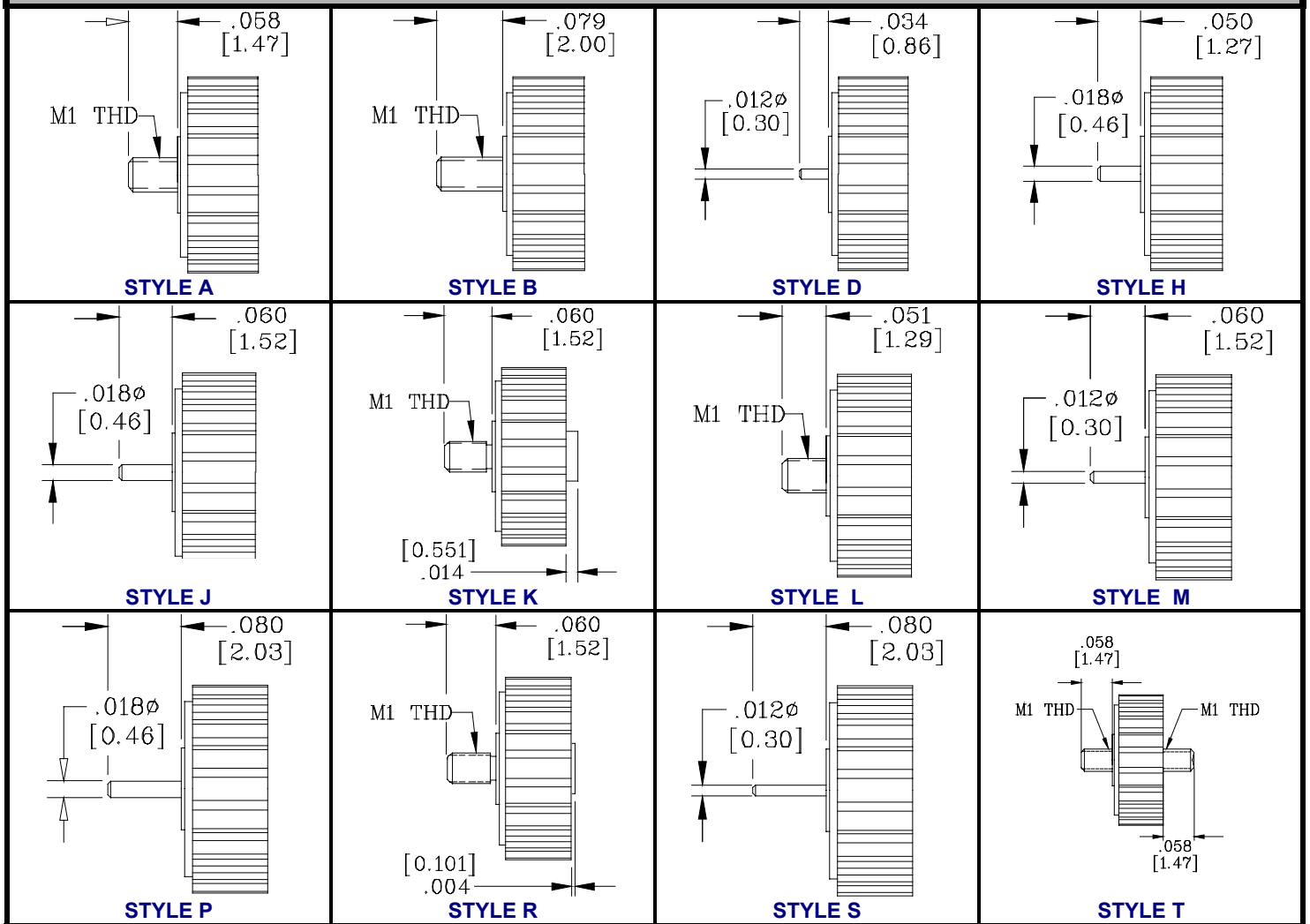


MODEL 25 PRODUCT DATA SHEET

M25 POTENTIOMETER



CENTER STUDS



ECO 23740 31777 Rev AF sht 2



MODEL 25 PRODUCT DATA SHEET

END LEADS

<p>STYLE B</p>	<p>STYLE C</p>	<p>STYLE D</p>	<p>STYLE E</p>
<p>STYLE F</p>	<p>STYLE G</p>	<p>STYLE H</p>	<p>STYLE J</p>
<p>STYLE K</p>	<p>STYLE L</p>		

KNOBS

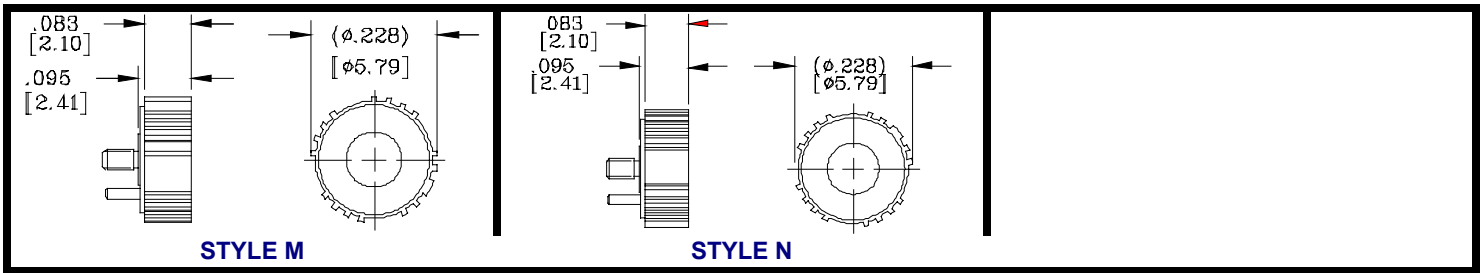
<p>STYLE B</p>	<p>STYLE C</p>	<p>STYLE E</p>
<p>STYLE H</p>	<p>STYLE J</p>	<p>STYLE K</p>

ECO 23740 31777 Rev AF sht 3



MODEL 25 PRODUCT DATA SHEET

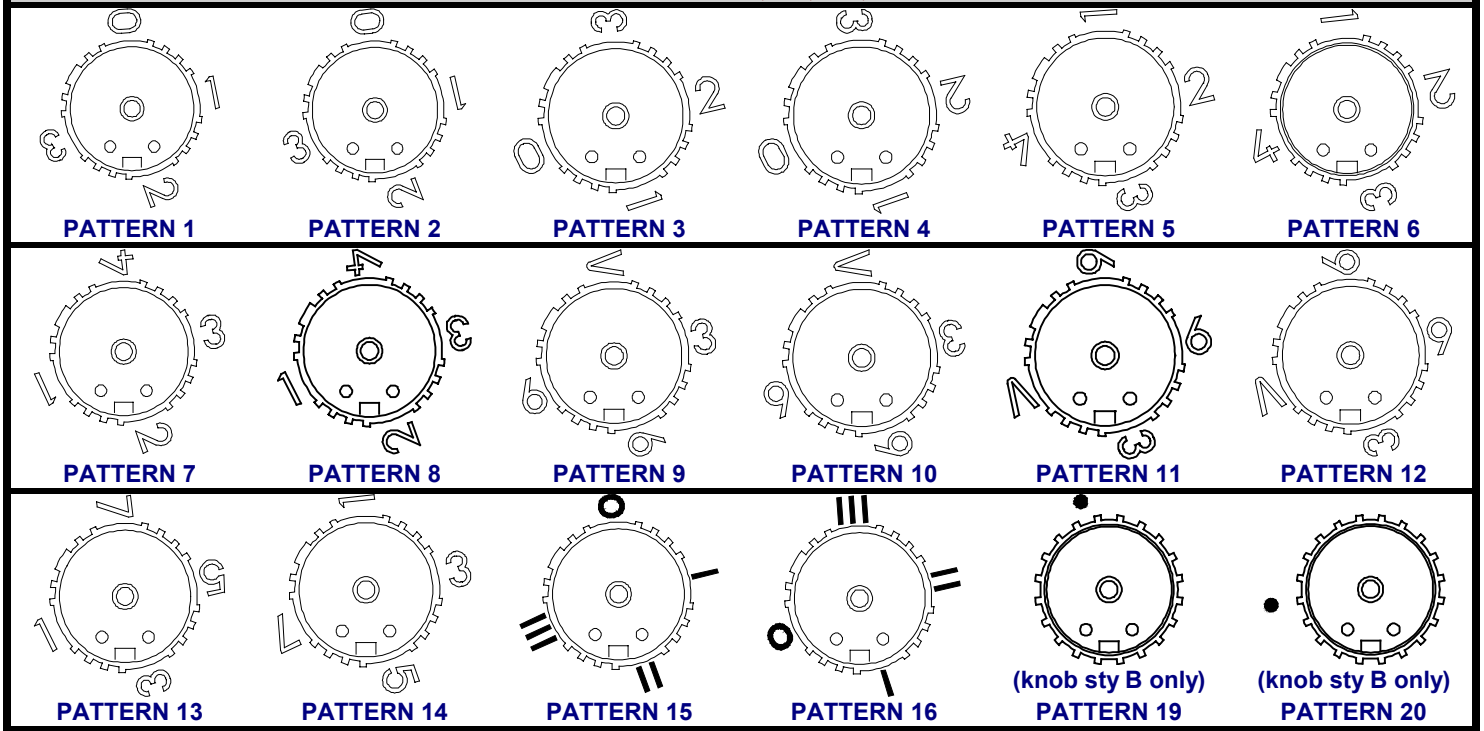
KNOBS



PRINTED KNOB PATTERNS

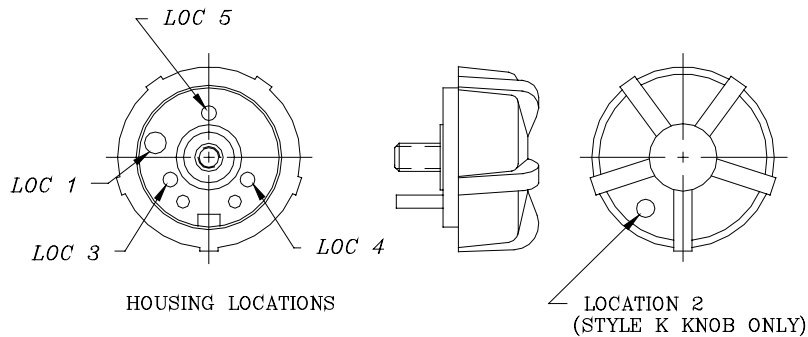
(Knobs are drawn in full cw rotation as viewed from housing side of control)

STYLES B, C, M, N

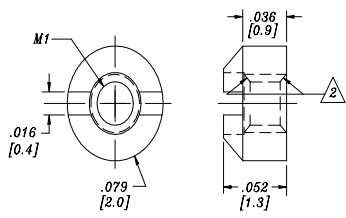


COLOR CODE LOCATIONS

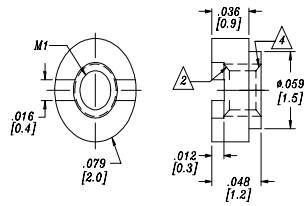
INK OPTIONS:	00 YELLOW	05 ORANGE	08 WHITE	16 RED
	04 LT BLUE	07 DK GREEN	10 DK BLUE	19 GREEN



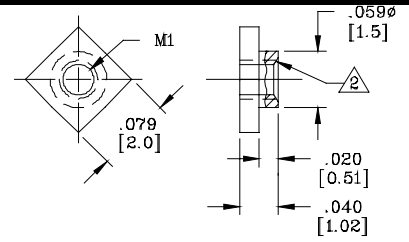
MOUNTING NUTS



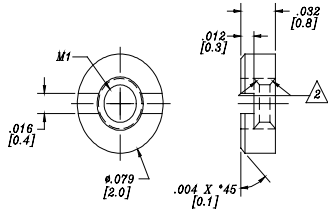
STYLE A



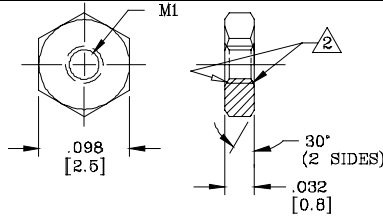
STYLE B



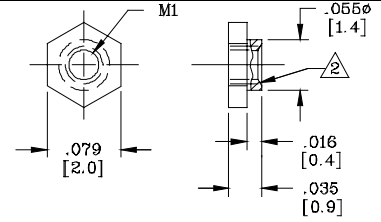
STYLE C



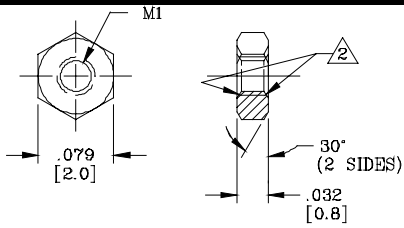
STYLE D



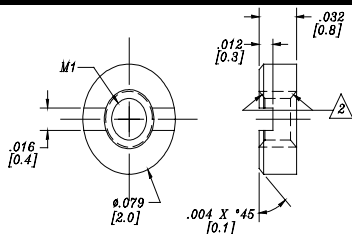
STYLE E



STYLE F



STYLE H



STYLE K

2 Thread lead-in chamfer to be $120^\circ \pm 10^\circ$