

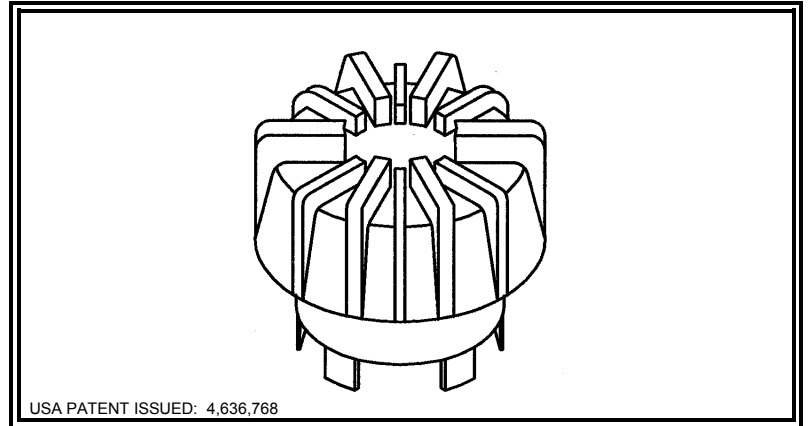


Resistance Technology, Inc.  
 1260 Red Fox Road  
 Saint Paul, MN 55112  
 FAX (651) 636-9503  
 1 (800) 966-3280  
 Phone: (651) 604-9600  
 Internet: www.RTI-Corp.com

In Europe:  
 Resistance Technology GmbH  
 Kesselschmiedstrasse 10  
 D-85354 Freising, Germany  
 Telefon: 049-8161-4804-0  
 Telefax: 049-8161-4804-18  
 RTGMBH@Compuserve.com

# PRODUCT DATA SHEET

## VOLUME CONTROL MODEL 11



NOTES: 1. All dimensions are in standard inches; metric in [ ]  
 2. Unless specified dimensions are  $\pm 0.003$  [0.08], angles  $\pm 5^\circ$

### PRODUCT SPECIFICATIONS

#### MECHANICAL DATA

Operational Torque.....	0.05 to 0.20 IN OZ
Stop Guide Torque	4.0 IN OZ min
Detent Torque	>.30 IN OZ
Rotational Angle	
Mechanical	220° $\pm 5^\circ$
Electrical	220° $\pm 5^\circ$
Soldering Temperature	350°C max
Dwell Time	2 sec max (ON/OFF switch must be in FULL ON position)

#### MATERIALS DATA

Potentiometer Terminals.....	Plated Beryllium Copper, Gold over Nickel
Switch Terminals	Plated Beryllium Copper, Gold over Nickel
Wiper	Silver-Plated Beryllium Copper
Knob	Thermoplastic
Base	Thermoplastic
Resistor Substrate	Epoxy Multilayer Laminate
Resistor Element	Conductive Plastic Thick Film

#### ELECTRICAL DATA

Potentiometer	
Overall Resistance	Nominal Value $\pm 20\%$
Wattage Rating	80 Milliwatts
Contact Resistance	Less than 10% of actual overall Resistance Value
Switch	
Switch Resistance	250 milliohms max 25 milliohms typ
Contact Bounce and Noise.	Less than 3.5 milliseconds
Voltage Rating	6.0 Volts DC max
Current Rating .....	500 milliamperes max
Closure Angle	22° nominal
Detent Causes Tactile Sensation at Closure, Opening	

#### ENVIRONMENTAL DATA

Operational Temperature Range	-25°C to + 55°C
Storage Temperature Range	-40°C to + 60°C

Overall resistance will remain within 10% of the initial value and all other Electrical and Mechanical Parameters remain within spec after:

Thermal Shock per IEC Publication 68-2-14 Test Na: "Rapid Change of Temperature with Prescribed Time of Transition".  
 -25°C to + 55°C

48 Hours Exposure to QE008 "Perspiration" at 40°C

IEC Publication 68-2-3 Test Ca: "Damp Heat Steady State:"

IEC Publication 68-2-30 Test Db: "Damp Heat Cyclic"

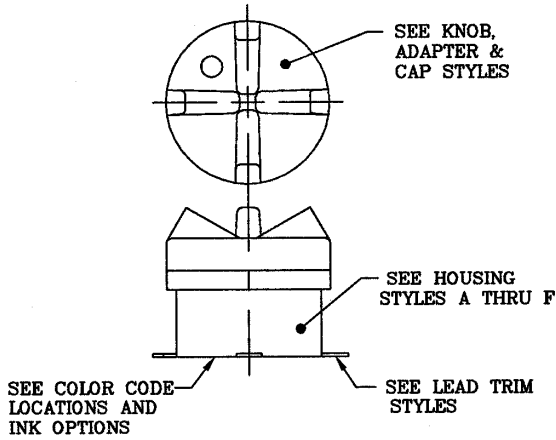
Operational Life ..... 25,000 Rotational Cycles at max Electrical Rating

RTI reserves the right to make changes at any time to improve reliability, function, or design in order to provide the best possible product.

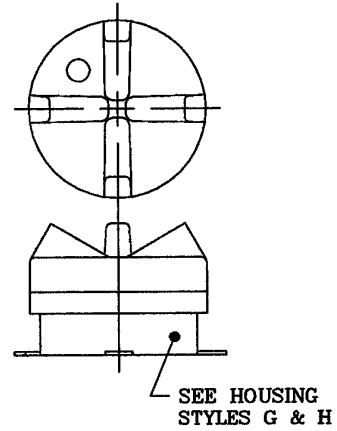


# MODEL 11 PRODUCT DATA SHEET

## MODEL 11SF (Forward) MODEL 11SR (Reverse)

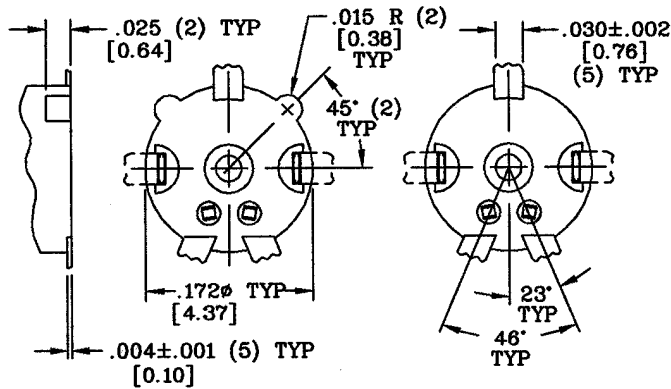


## MODEL 11R (Switch Regular)



## HOUSINGS

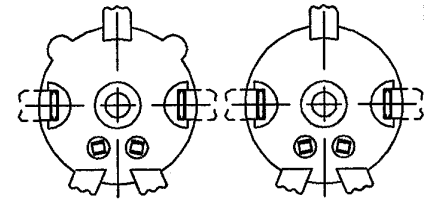
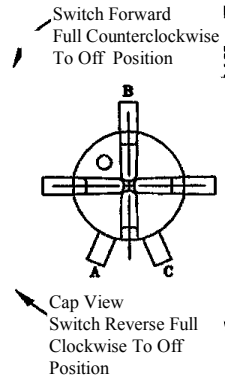
### SWITCH FORWARD CONTROL



STYLE A

STYLE B

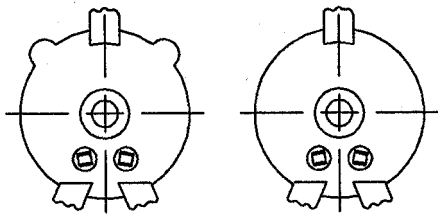
### SWITCH REVERSE CONTROL



STYLE C

STYLE D

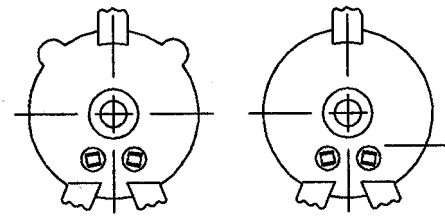
### SX CONTROL



STYLE E

STYLE F

### REGULAR CONTROL



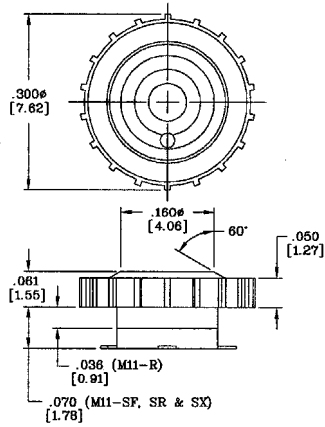
STYLE G

STYLE H

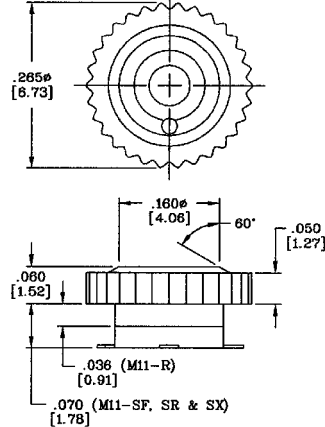


# MODEL 11 PRODUCT DATA SHEET

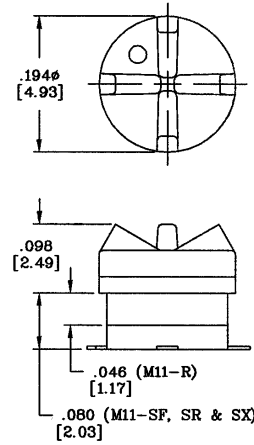
## CAPS



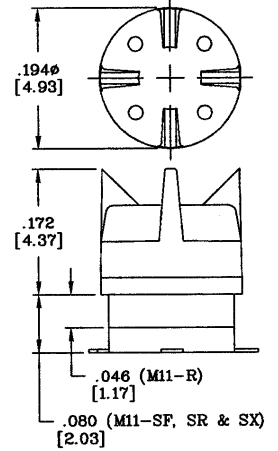
**STYLE A**



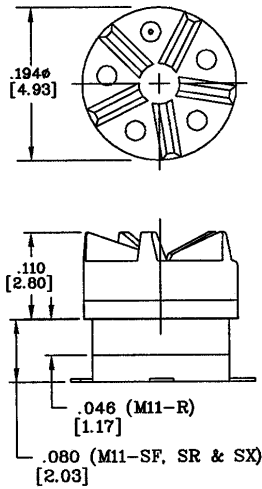
**STYLE B**



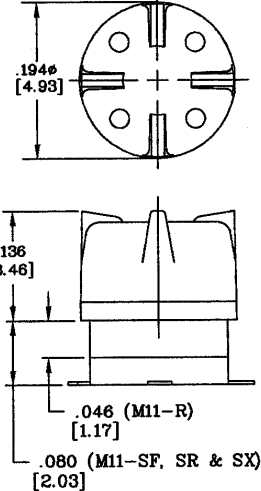
**STYLE E**



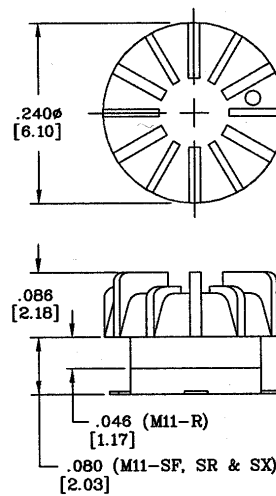
**STYLE G**



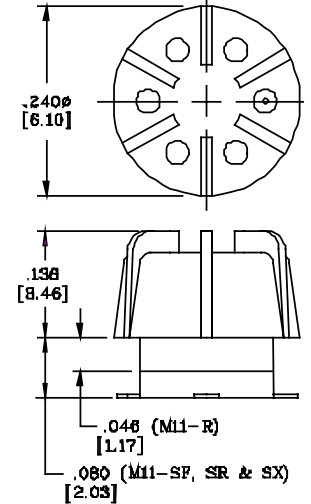
**STYLE L**



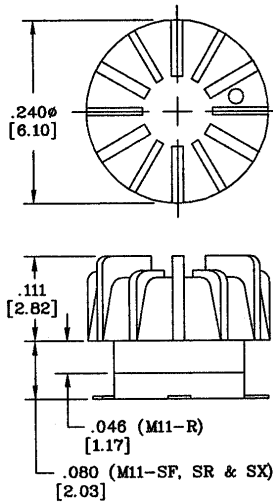
**STYLE M**



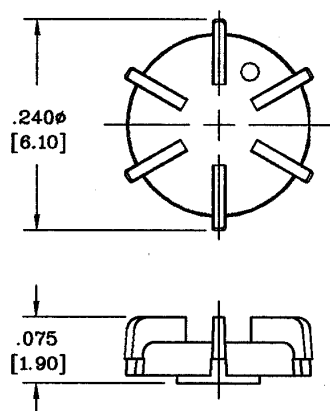
**STYLE P**



**STYLE R**



**STYLE S**



**STYLE X**



# MODEL 11 PRODUCT DATA SHEET

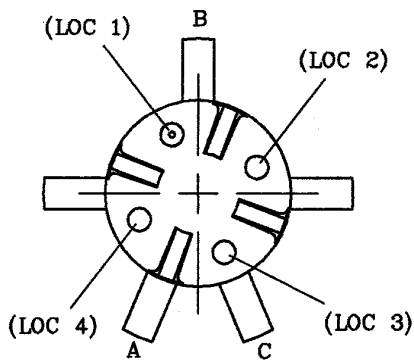
## COLOR CODE LOCATIONS

### INK OPTIONS:

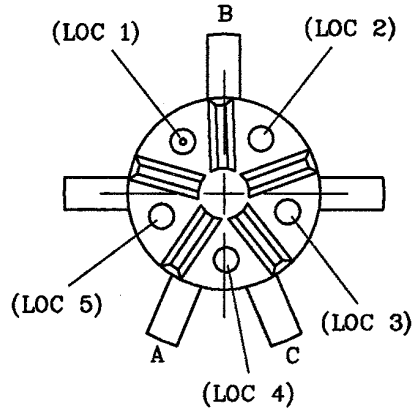
00 YELLOW	04	08 WHITE	12 BLACK
01 LAWN GREEN	05 ORANGE	09 PINK	13 LT BLUE
02 CHERRY RED	06 DK BROWN	10 DK BLUE	14 YEL/GRN
03 TAN	07 DK GREEN	11 GRAY	15 VIOLET
	17150-18 BLUE		

### CAPS

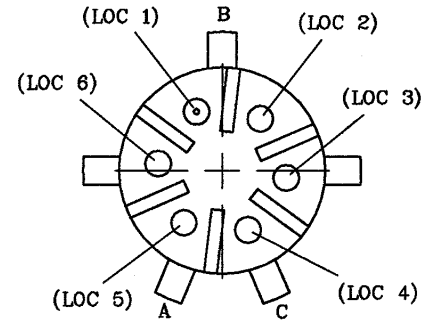
#### SF - Counter-Clockwise Rotation (shown full off)



STYLES G & M

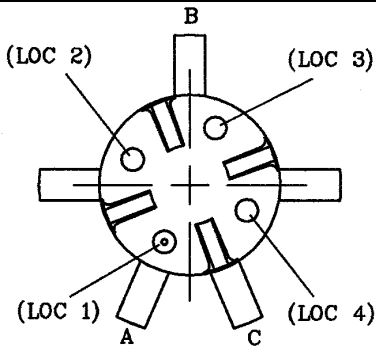


STYLE L

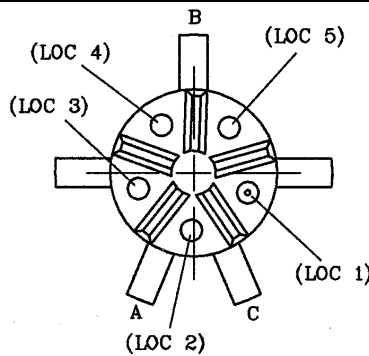


STYLE R

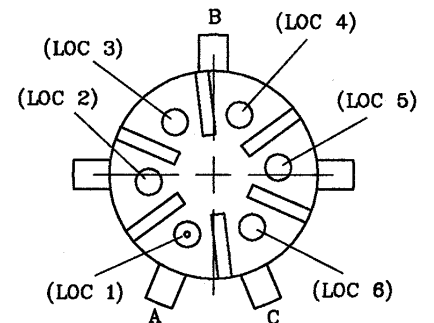
#### SR - Clockwise Rotation (shown full off)



STYLES G & M

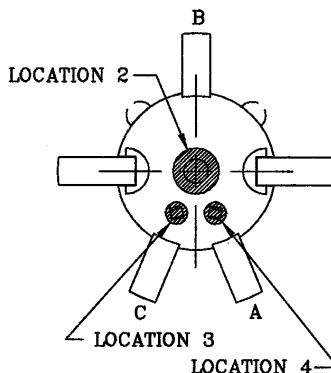


STYLE L



STYLE R

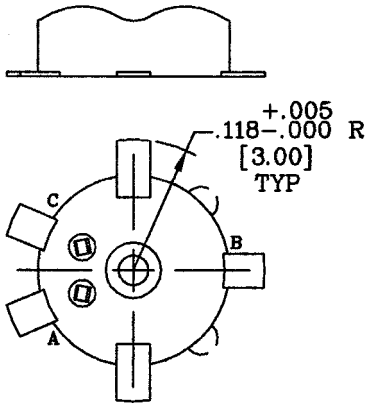
### HOUSING



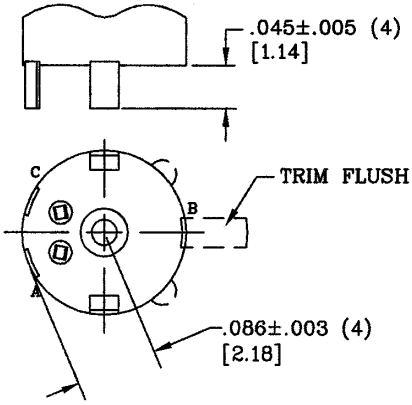


# MODEL 11 PRODUCT DATA SHEET

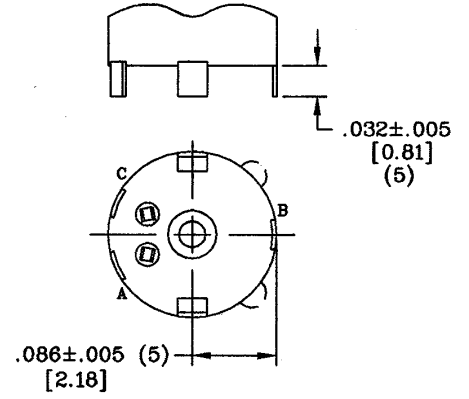
## TRIM DIES



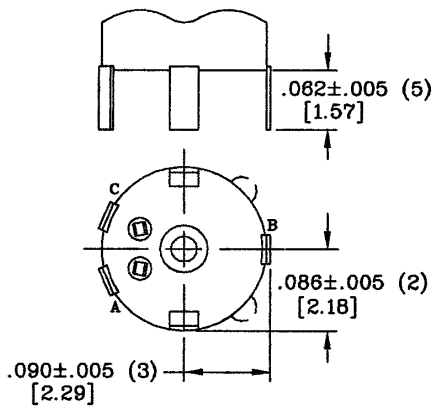
STYLE A



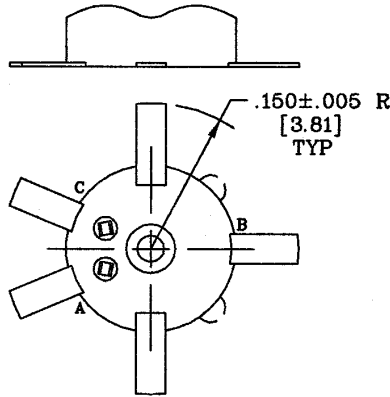
STYLE B



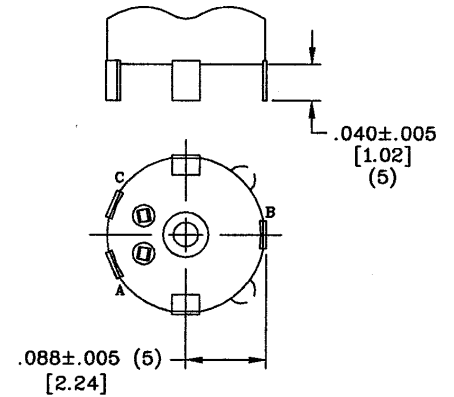
STYLE C



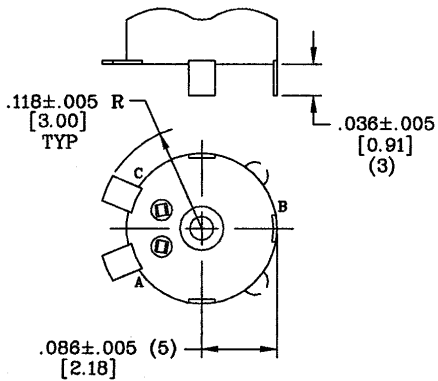
STYLE D



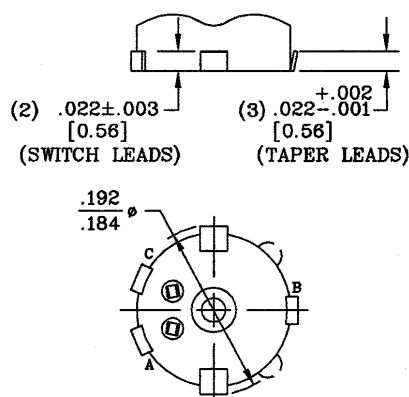
STYLE E



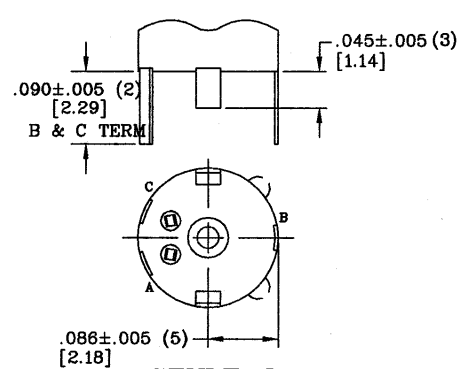
STYLE F



STYLE G



STYLE H

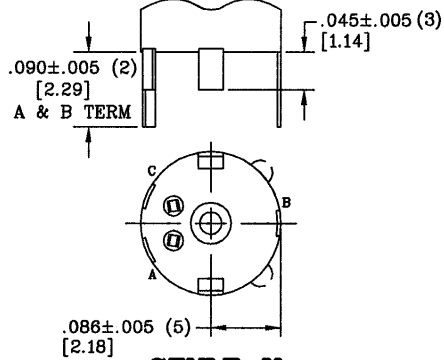


STYLE J

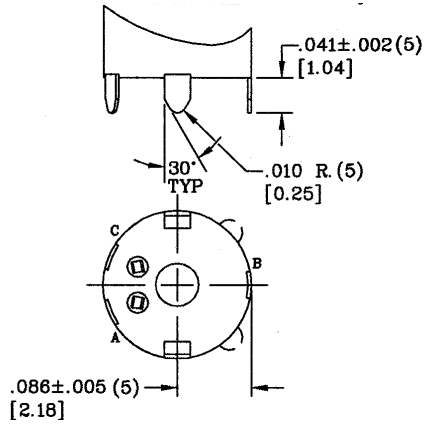


# MODEL 11 PRODUCT DATA SHEET

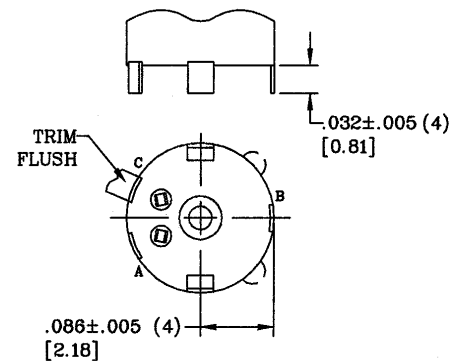
## TRIM DIES



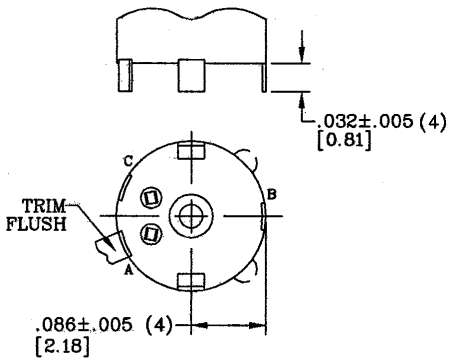
STYLE K



STYLE L

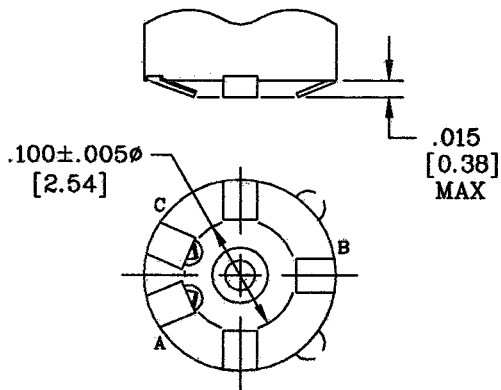


STYLE M

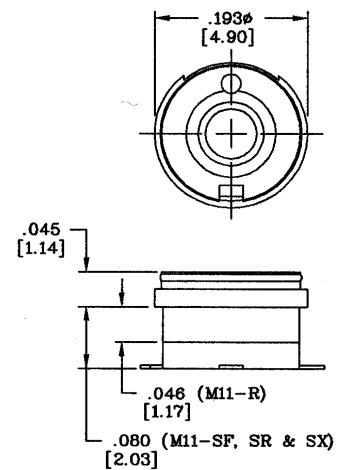


STYLE N

## SECOND FORM



## ADAPTER



(STYLE D ONLY)